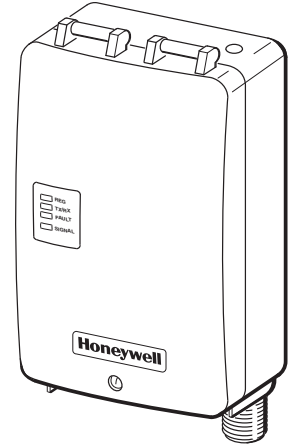


GSMX4G/GSMXCN4G GSM Communicator – Current Loading Worksheet

GENERAL INFORMATION:

Before installing this product, first ensure the system's control panel has enough available power. The best method is to assess all the ECP devices and figure the total current draw. Then subtract that from the control panel's maximum aux power current. This will give you the available power for the GSMX4G/GSMXCN4G.

Follow the simple procedure below to determine if an auxiliary power supply is needed. Step 1 provides some reference information covering the maximum available aux current for popular control panels. If your control panel is not listed here, please refer to its installation guide.



STEP 1 – Determine the Control Panel's Available Power.

| Control Panel | Maximum Aux Power |
|-------------------------|------------------------|
| VISTA-10P | 500mA |
| VISTA-15P | 600mA, or 500mA for UL |
| VISTA-20P | 600mA, or 500mA for UL |
| VISTA-32FB | 1.0A |
| VISTA-128BP / 250BP | 750mA (390mA Canada) |
| VISTA-128FBP / 250FBP | 1.0A (650mA Canada) |
| VISTA-128BPT / 250BPT | 750ma |
| VISTA-128FBPT / 250FBPT | 1.0A (650mA Canada) |

The GSMX4G GSM Communicator requires 12VDC @ 250mA.

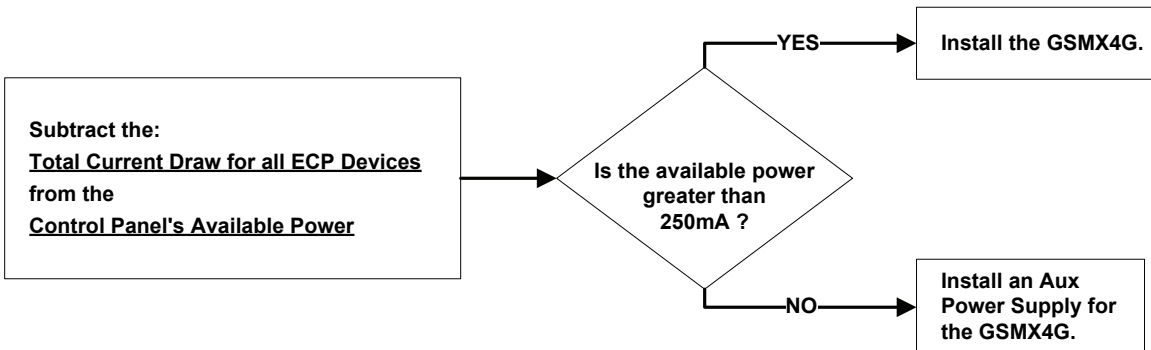
For control panels that do not have enough available power, you must add an aux power supply such as the Honeywell AD12612 Auxiliary Power Supply, 1361 Transformer, and 12V 4Ah backup battery.

Note: When using an auxiliary power supply, ensure the negative output of the auxiliary power supply is also connected to the negative Aux Power terminal in the control panel. (Refer to the wiring diagram on the reverse side.)

STEP 2 – Determine the total power for all ECP Devices.

| | System Devices | Current Draw |
|-----|---|--------------|
| 1. | | |
| 2. | | |
| 3. | | |
| 4. | | |
| 5. | | |
| 6. | | |
| 7. | | |
| 8. | | |
| 9. | | |
| 10. | | |
| | Total Current Draw for all ECP Devices | |

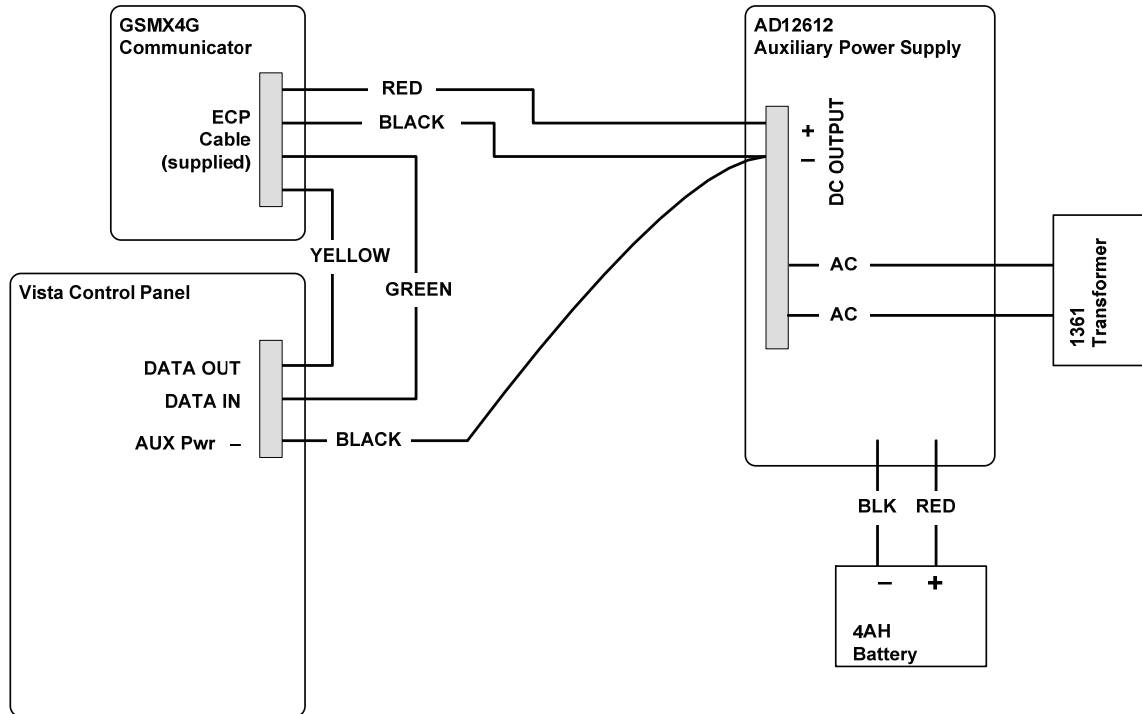
STEP 3 – Does the Control Panel need an Aux Power Supply?



Using an Auxiliary Power Supply to power the GSMX4G GSM Communicator.



Refer to the Auxiliary Power Supply AD12612 instructions for terminal information.



Honeywell

2 Corporate Center Drive, Suite 100
P.O. Box 9040, Melville, NY 11747

Copyright © 2012 Honeywell International Inc.

www.honeywell.com/security



800-10940 1/12 Rev. B